



Datasheet

IMPINJ R700 RAIN RFID READER

DATASHEET

DOCUMENT OVERVIEW

The all-new Impinj R700 reader is designed to support global enterprise RAIN deployments that need high performance and reliability.

- **Enterprise-grade reliability and security**—Secure and field-upgradable; built on a heritage of best-in-class reliability
- **Designed for enterprise-grade deployments**—High-speed processing power and superior receive sensitivity for next-generation, enterprise RAIN applications
- **Connects like other IoT devices**—Easily connect to IoT applications with RESTful API and support for popular IoT data transfer technologies
- **Build powerful, custom solutions**—Embed powerful, custom on-reader applications and use versatile, standardized connections
- **Fast Connection to IoT Applications**—Gigabit Ethernet connectivity prevents data bottlenecks and lowers latency
- **Built to Withstand Tough Environments**—Ruggedized, shock-resistant cast aluminum enclosure

This document constitutes the electrical and mechanical specifications pertaining to the Impinj R700 RAIN RFID Reader. It contains a functional overview, mechanical characteristics, and electrical specifications. For technical support, visit the Impinj support portal at support.impinj.com.

Table 1: Impinj R700 Key Specifications

SPECIFICATION	DESCRIPTION
Physical Dimensions	With mounting brackets 8.4 in. long x 7.4 in. wide x 1.2 in. deep (21.5 cm x 18.7 cm x 3.0 cm) Without brackets: : 8.4 in. width x 5.9 in. depth x 1.2 in. height inch (21.4 x 14.9 x 3.0 cm)
Power Supply	PoE (802.3af), PoE+ (802.3at) with LLDP for power negotiation
Air Interface Protocol	EPCglobal UHF Gen2 v2 / ISO 18000-63 RFID
Antenna Ports	4, Monostatic (RP-TNC)
Frequency Range	FCC: 902 – 928 MHz ETSI: 865 – 868 MHz, 915 – 921 MHz
Transmit Power	PoE+: 33 dBm max PoE: 30 dBm max
Receive Sensitivity	-92 dBm max
Processor	Dual-Core 1 GHz
Memory	1 GB Flash, 1 GB RAM
Network Connectivity	10/100/1000 BASE-T Ethernet
Device Connectivity	3 USB Type-A, 1 micro USB
General Purpose I/O	3 out, 2 in

Figure 1: Impinj R700 Top View



Figure 2: Impinj R700 Bottom View



Figure 3: Impinj R700 Front View



Figure 4: Impinj R700 Back View



Figure 5: Impinj R700 Left View



Figure 6: Impinj R700 Right View

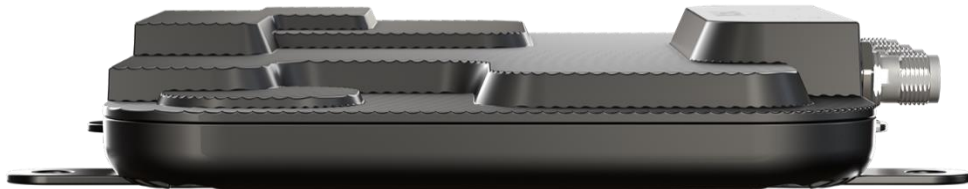


TABLE OF CONTENTS

1	Introduction	1
1.1	Features	1
1.2	Block Diagram	1
2	Specifications.....	2
2.1	Mechanical	2
2.2	Environmental	2
2.3	RFID	3
2.4	Connectivity.....	3
2.4.1	Power	3
2.4.2	GPIO	3
2.5	Operating System	5
3	Development Libraries	5
4	Regulatory Specifications.....	6
5	Ordering Information	6
5.1	Reader.....	6
5.2	Accessories and Warranties	6
5.3	Antennas and Antenna Cables	7
6	Impinj Fixed Reader Comparison.....	8
7	Additional User Documentation	8
8	ChangeLog	9
8.1	June 2020.....	9
9	Notices	10

1 INTRODUCTION

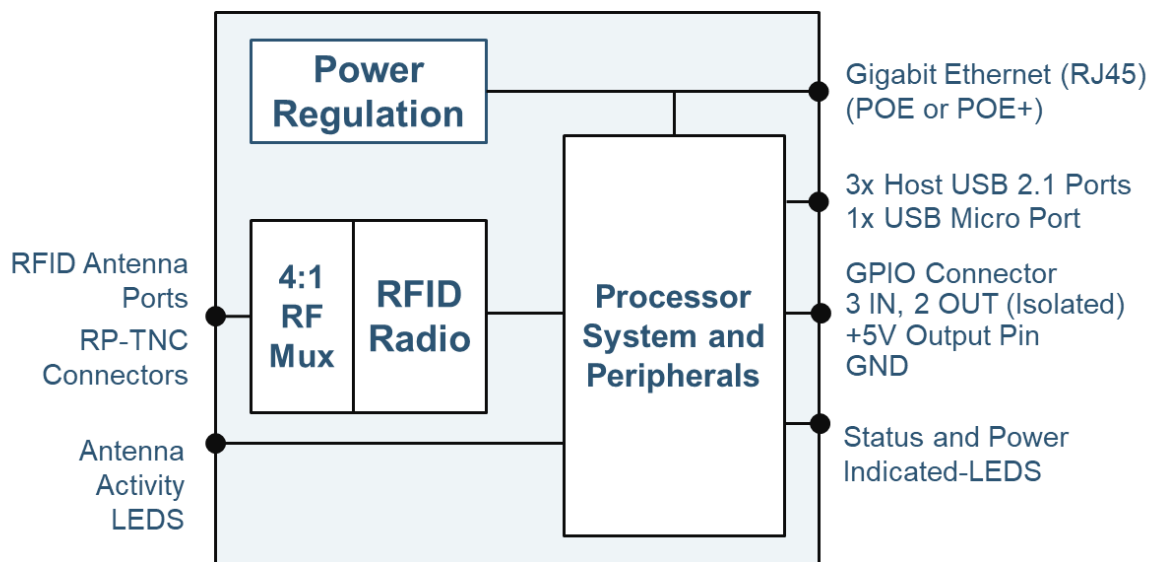
The Impinj R700 RAIN RFID reader is a four port RFID reader compliant with the GS1 UHF Gen2v2 standard which ISO/IEC standardized as 18000-63. The Impinj R700 has been specifically designed to meet the increasing demands of next-generation IoT solutions and enterprise-grade RAIN deployments.

1.1 Features

- -92 dBm receive sensitivity enables reading smaller, global RAIN RFID tags at high speed for demanding use cases such as RAIN-based loss prevention
- 1 GHz dual-core processor, 1 GB RAM, and Gigabit Ethernet allow developers to deploy sophisticated on-reader tag-processing algorithms that leverage low-latency connectivity to enterprise IoT applications
- Integrated, standardized connectors provide rich support for external peripherals
- A secure, upgradable Linux operating system, encrypted software image, and a secure software boot with chain-of-trust prevents unauthorized software execution and addresses the demanding security needs of enterprise customers

1.2 Block Diagram

Figure 7: Impinj R700 Block Diagram



2 SPECIFICATIONS

2.1 Mechanical

Table 2: Impinj R700 Mechanical Specifications

SPECIFICATION	DESCRIPTION
Physical Dimensions	With mounting brackets 8.4 in. long x 7.4 in. wide x 1.2 in. deep (21.5 cm x 18.7 cm x 3.0 cm) Without brackets: : 8.4 in. width x 5.9 in. depth x 1.2 in. height inch (21.4 x 14.9 x 3.0 cm)
Mounting	<ul style="list-style-type: none"> VESA 100 x 100 on bottom of the enclosure Two removable brackets compatible with Impinj Speedway mounting system
Weight	2.12 lb, 0.96 kg
Housing Material	Die-cast Aluminum
Factory Reset Button	Restores reader to known factory state
LED Indicators	System status, inventory, firmware upgrade, antenna activity, network activity

2.2 Environmental

Table 3: Impinj R700 Environmental Specifications

SPECIFICATION	DESCRIPTION
Operating Temperature	-4°F to 122°F (-20°C to 50°C)
Storage Temperature	-4°F to 158°F (-20°C to 70°C)
Humidity	5% - 95% non-condensing
Sealing	Ingress Protection (IP) 50 rating
Shock and Vibration	United States Military Standard MIL-STD-810G

2.3 RFID

Table 4: Impinj R700 RFID Specifications

SPECIFICATION	DESCRIPTION
Air Protocol	EPCglobal UHF Class 1 Gen 2 / ISO 18000-63 RFID
Transmit Power	10 – 30 dBm (PoE), 10 – 33 dBm (PoE+)
Frequency Range	FCC: 902-928 MHz ETSI Low Band: 865-868 MHz ETSI High Band: 915-921 MHz
Return Loss	10 dB min
Read Rate	Up to 1100 reads per second
Antenna Impedance	50 ohm
Max Receive Sensitivity	-92 dBm at 10 ⁻³ bit error rate
Gen 2 Reader Modes	11 fixed modes, 3 autopilot modes

2.4 Connectivity

Table 5: Impinj R700 Connectivity Specifications

SPECIFICATION	DESCRIPTION
Network	10/100/1000 Base-T Ethernet (RJ45)
Antenna Ports	4 monostatic ports (RP-TNC)
USB	3 Type A host, 1 micro device
Power	PoE (802.3af), PoE+ (802.3at) with LLDP for power negotiation
General Purpose I/O	3 out, 2 in optically isolated
General Purpose I/O Header	Phoenix Contact 9 pin 3.81 mm pitch

2.4.1 Power

The Impinj R700 is powered exclusively through Power over Ethernet (PoE) or PoE+ via the Ethernet port. For applications where the reader is not connected to a PoE capable switch, a midspan injector can be used to add inline power to a network connection via a power supply. When connected to a device that supports Link Layer Discovery Protocol (LLDP), the Impinj R700 will check if PoE+ power is available. If the device supports PoE+ the Impinj R700 will configure itself to use PoE+.

2.4.2 GPIO

The Impinj R700 utilizes a Phoenix Contact 9 position 3.81mm pitch header to expose the GPIO signals. To connect external signals a matching terminal block must be installed.

Table 6: Impinj R700 GPIO Pin Assignments

PIN	ASSIGNMENT
1	+5V (500 mA max current)
2	Chassis GND
3	IN 0
4	IN 1
5	OUT 0
6	OUT 1
7	OUT 2
8	V MINUS
9	V PLUS

Table 7: Impinj R700 GPIO Electrical Specifications

SPECIFICATION	DESCRIPTION
V PLUS	5 – 30 V (reference to V MINUS)
Input Logic 0	0 - 0.8 V
Input Logic 1	3 – 30 V
Output Logic 0	0 – 0.5 V (reference to V MINUS)
Output Logic 1	V PLUS – 0.5 V
GPO Current Draw	1.5 A Source or Sink
Isolation	Optical

2.5 Operating System

Table 8: Impinj R700 Operating System Specifications

SPECIFICATION	DESCRIPTION
Processor	Dual-Core 1 GHz Cortex A7
Memory	1 GB Flash, 1 GB RAM
Operating System	Linux, 5.1 kernel
Firmware	Impinj R700 LLRP with Impinj extensions
Firmware Upgrade	Web-based and remote capable
Network Stack	IPv4, IPv6
Network Services	SSH, HTTP, HTTPS, NTP, DHCP, SFTP, mDNS
Network Security	802.1x port security
Network Management	Event logs with syslog forwarding

3 DEVELOPMENT LIBRARIES

Table 9: Impinj R700 Supported Development Libraries

API	DESCRIPTION
Impinj RESTful Interface	Host-based applications (over 80 languages supported)
Octane SDK	Host-based applications (.NET, Java)
LLRP Toolkit	Host-based applications (.NET, Java, C, C++)
Embedded Toolkit	On-reader applications (C, C++)

4 REGULATORY SPECIFICATIONS

Table 10: Impinj R700 Regulatory Specifications

SPECIFICATION	DESCRIPTION
RF	USA and Canada <ul style="list-style-type: none"> Federal Communications Commission (FCC) Part 15.247 and 15.249 Professional Installation required under FCC rules ETSI <ul style="list-style-type: none"> EN 302 208 v3.3.0 EN 301 489-3 v2.2.1 EN 300 489-1 v2.2.0
Safety	USA and Canada <ul style="list-style-type: none"> UL listed EU <ul style="list-style-type: none"> CE mark
Hazardous Substances	RoHS3 2015/863 compliant

5 ORDERING INFORMATION

5.1 Reader

Table 11: Impinj R700 Part Number Information

PART NUMBER	DESCRIPTION
IPJ-R700-141	Impinj R700 RAIN RFID Reader, 4-Port, FCC
IPJ-R700-241	Impinj R700 RAIN RFID Reader, 4-Port, ETSI

5.2 Accessories and Warranties

Table 12: Impinj R700 Hardware Accessories and Services

PART NUMBER	DESCRIPTION																												
IPJ-A2010	PoE+ midspan power injector (without AC power cord)																												
IPJ-A2041-xxx	AC power cord for PoE+ injector <table border="0" style="width: 100%;"> <tr> <td>ARG</td> <td>Argentina</td> <td>RSA</td> <td>South Africa</td> </tr> <tr> <td>AUS</td> <td>Australia, New Zealand</td> <td>UK1</td> <td>UK, Singapore</td> </tr> <tr> <td>BRA</td> <td>Brazil</td> <td></td> <td>Malaysia, Hong Kong</td> </tr> <tr> <td>CHN</td> <td>China</td> <td>USA</td> <td>USA</td> </tr> <tr> <td>EU1</td> <td>Europe</td> <td></td> <td></td> </tr> <tr> <td>IND</td> <td>India</td> <td></td> <td></td> </tr> <tr> <td>JPN</td> <td>Japan</td> <td></td> <td></td> </tr> </table>	ARG	Argentina	RSA	South Africa	AUS	Australia, New Zealand	UK1	UK, Singapore	BRA	Brazil		Malaysia, Hong Kong	CHN	China	USA	USA	EU1	Europe			IND	India			JPN	Japan		
ARG	Argentina	RSA	South Africa																										
AUS	Australia, New Zealand	UK1	UK, Singapore																										
BRA	Brazil		Malaysia, Hong Kong																										
CHN	China	USA	USA																										
EU1	Europe																												
IND	India																												
JPN	Japan																												
IPJ-C205x	Warranty extension <table border="0"> <tr> <td>1</td> <td>1-year</td> </tr> <tr> <td>2</td> <td>2-year</td> </tr> <tr> <td>3</td> <td>3-year</td> </tr> </table>	1	1-year	2	2-year	3	3-year																						
1	1-year																												
2	2-year																												
3	3-year																												
IPJ-C2001	Firmware Updates (1-year)																												

5.3 Antennas and Antenna Cables

Table 13: Antenna and Antenna Cable Ordering Information

PART NUMBER	PART NAME	DESCRIPTION
IPJ-A0303-000	Mini-Guardrail Antenna	The Impinj Mini-Guardrail antenna has a short-read zone and fits easily into small enclosures. The small form factor and mounting holes support a multitude of use cases. Requires 1 SMA to R-TNC cable (not included)
IPJ-A0311-xxx	Threshold Antenna EU1 ETSI USA FCC	The Impinj Threshold RAIN RFID antenna provides wide zone coverage ideal for a road racecourse or other boundary and threshold crossings. Includes 1 SMA to R-TNC (2 m)
IPJ-A0400-xxx	Brickyard Antenna EU1 ETSI USA FCC	The Brickyard antenna by CSL has a one meter read zone designed for point-of-sale terminals enabling quick and easy item identification. Integrated 2.4 m pigtail R-TNC cable
IPJ-A0402-xxx	Guardwall Antenna EU1 ETSI USA FCC	The Impinj Guardwall RAIN RFID antenna is deployed in pairs and provides a tightly controlled read zone designed to integrate into conveyor systems. Includes 2 x SMA to R-TNC (2 m) cables
IPJ-A0404-000	Matchbox Antenna	The Impinj Matchbox antenna is a very small RAIN RFID antenna suited for embedded applications needing strong performance in a tight read zone. Requires 1 SMA to R-TNC cable (not included)
IPJ-A1000-xxx	Far Field LHP Antenna EU1 ETSI USA FCC	The Far-Field circularly polarized panel antenna by Laird is ideal for applications that need to read tags at a longer distance, typically more than 1.5 feet. Common far field applications include pallet tracking, real-time inventory management, asset management, conveyor systems, and supply chain visibility. Features an integrated 2.4 m pigtail cable. Left hand circularly polarized (LHP) version.
IPJ-A1001-xxx	Far Field RHP Antenna EU1 ETSI USA FCC	The Far-Field circularly polarized panel antenna by Laird is ideal for applications that need to read tags at a longer distance, typically more than 1.5 feet. Common far field applications include pallet tracking, real-time inventory management, asset management, conveyor systems, and supply chain visibility. Features an integrated 2.4 m pigtail cable. Right hand circularly polarized (RHP) version.
IPJ-A1100-xxx	Slim Outdoor Antenna EU1 ETSI USA FCC	The Slim Outdoor antenna by Times-7 is a thin, powerful, long-read range RAIN RFID antenna rated for permanent outdoor and industrial use. Requires 1 SMA to R-TNC cable (not included)
IPJ-A1200-xxx	Compact Outdoor Antenna EU1 ETSI USA FCC	The Compact Outdoor antenna by Times-7 is rated for outdoor and industrial use and designed for a wide range of RAIN RFID applications requiring a long-read range and compact size. Requires 1 SMA to R-TNC cable (not included)
IPJ-A300x-000	Antenna Cable 2 2 meters 4 4 meters 8 8 meters	RG58, SMA male to R-TNC male
IPJ-A311x-000	Antenna Cable 2 2.1 meters 4 4.6 meters	Low Loss/High Flex, SMA male to R-TNC male
IPJ-A312x-000	Antenna Cable 2 2.1 meters 4 4.6 meters	Low Loss/High Flex, SMA male to SMA male

6 IMPINJ FIXED READER COMPARISON

Table 14: Impinj Fixed Reader Comparison

FEATURE	IMPINJ R700	SPEEDWAY R420	SPEEDWAY R220	SPEEDWAY R120
Antenna Ports	4	4	2	1
Read Zones (max)	32	32	2	8
Read Rate (reads/second)	1100	1100	200	200
Transmit Power (dBm max)	33.0	32.5	32.5	30
Receive Sensitivity (dBm max))	-92	-84	-84	-84
Processor Speed	1 GHz (dual-core)	400 MHz (single core)	400 MHz (single core)	400 MHz (single core)
Random Access Memory (MB)	1024	256	256	256
Custom Application Partition (MB)	128	32	32	32
Autopilot Reader Modes	yes	yes	yes	yes
USB Peripheral Slots	3	1	1	1
GPIO Block	Integrated	Accessory	Accessory	Accessory
Ethernet Network Speed	10/100/1000	10/100	10/100	10/100
Power Over Ethernet Support	PoE PoE+	PoE PoE+ EU2 model	PoE	PoE

7 ADDITIONAL USER DOCUMENTATION

The following table lists documents that may be helpful in operating the Impinj R700. These documents can be found on the Impinj support portal at support.impinj.com.

Table 15: Impinj R700 User Documentation

DOCUMENT	DESCRIPTION
Impinj R700 Quick Start Guide	Simple guide to begin using the Impinj R700
Impinj R700 Installation and Operations Guide	Detailed instructions for installing, connecting, configuring, operating, upgrading, and troubleshooting the Impinj R700
RShell Reference Manual	Guide to using the Reader Shell (RShell) command line interface to configure, maintain, and query the status of Impinj RAIN RFID readers
Octane LLRP Guide	Describes the LLRP capabilities supported by Impinj RAIN RFID readers, which includes Impinj custom LLRP extensions
Embedded Developers Quick Start Guide	Guide to begin developing custom on-reader applications
Impinj R700 Firmware Release Notes	Details up to date features and known issues

8 CHANGELOG

8.1 June 2020

- Updated to include ETSI SKU information
- Updated to reflect features of Impinj R700 Firmware version 7.1
- Minor formatting changes

9 NOTICES

Copyright © 2020, Impinj, Inc. All rights reserved.

Impinj gives no representation or warranty, express or implied, for accuracy or reliability of information in this document. Impinj reserves the right to change its products and services and this information at any time without notice.

EXCEPT AS PROVIDED IN IMPINJ'S TERMS AND CONDITIONS OF SALE (OR AS OTHERWISE AGREED IN A VALID WRITTEN INDIVIDUAL AGREEMENT WITH IMPINJ), IMPINJ ASSUMES NO LIABILITY WHATSOEVER AND IMPINJ DISCLAIMS ANY EXPRESS OR IMPLIED WARRANTY, RELATED TO SALE AND/OR USE OF IMPINJ PRODUCTS INCLUDING LIABILITY OR WARRANTIES RELATING TO FITNESS FOR A PARTICULAR PURPOSE, MERCHANTABILITY, OR INFRINGEMENT.

NO LICENSE, EXPRESS OR IMPLIED, BY ESTOPPEL OR OTHERWISE, TO ANY PATENT, COPYRIGHT, MASKWORK RIGHT, OR OTHER INTELLECTUAL PROPERTY RIGHT IS GRANTED BY THIS DOCUMENT.

Impinj assumes no liability for applications assistance or customer product design. Customers should provide adequate design and operating safeguards to minimize risks.

Impinj products are not designed, warranted or authorized for use in any product or application where a malfunction may reasonably be expected to cause personal injury or death, or property or environmental damage ("hazardous uses"), including but not limited to military applications; life-support systems; aircraft control, navigation or communication; air-traffic management; or in the design, construction, operation, or maintenance of a nuclear facility. Customers must indemnify Impinj against any damages arising out of the use of Impinj products in any hazardous uses.

Statements concerning Impinj product performance are based on Impinj's internal modeling and test data, actual results may vary.

Impinj, and Impinj products and features are trademarks or registered trademarks of Impinj, Inc. For a complete list of Impinj Trademarks, visit www.impinj.com/trademarks. All other product or service names may be trademarks of their respective companies.

The products referenced in this document may be covered by one or more U.S. patents. See www.impinj.com/patents for details.